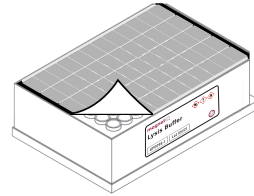


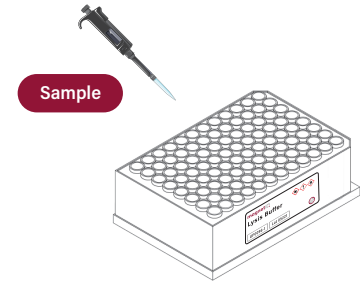
magnetiQ Universal Pathogen DNA/RNA Extraction Kit

Quick Start Guide

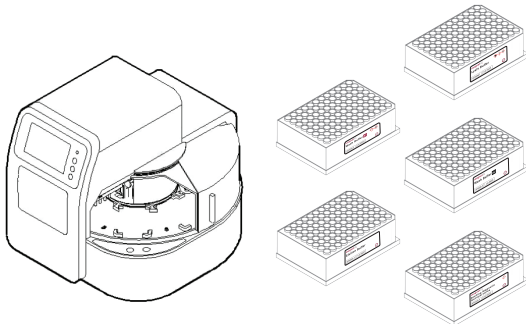
1 Remove protective foil from Lysis plate.



2 Add 100 - 200µl of sample to Lysis plate.

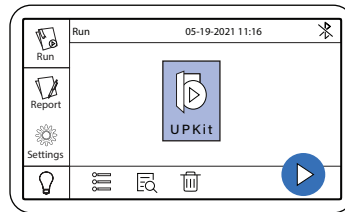


3 Peel remaining four plates and load all plates onto their respective positions on the extraction machine.



! Place tip combs on Lysis plate or in dedicated tip plate, according to machine's specifications.

4 Select the UP0096 program.



5 Purified nucleic acids collected from elution plate.

